



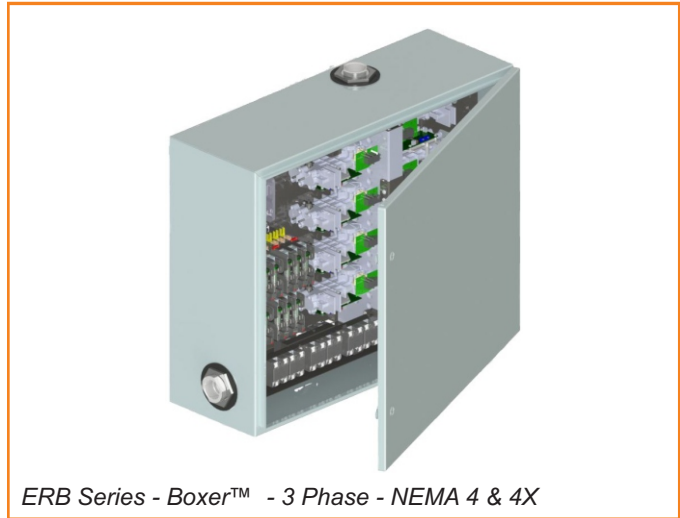
ELECTRIC TANKLESS WATER HEATER - LARGE CAPACITY

ERB SERIES - BOXER™ - NEMA 4 & 4X - 3 PHASE

TYPICAL APPLICATIONS:
 Eye Wash/Face Wash Stations, Safety Showers
 Commercial, Industrial, Tank Heating

CABINET PRODUCT FEATURES

- Unit is fabricated of 16 gage material with a continuous weld seam ground to a smooth finish
 - N4 - ANSI 61 Gray Painted Steel
 - N4X - 304 Stainless Steel
- Door is fabricated of 14 gage material and contains high-torque thread-less studs and fasteners with quarter-turn slotted latches
- Removable door with hidden hinges for clean, aesthetic appearance
- Unit is sealed with seamless foam-in place gasket
- Unit provides maximum body opening with minimum width body flanges
- Mounting holes in back of body for direct mounting
- Bonding provision on door; grounding stud on body
- Furnished hardware kit consists of panel-mounting nuts, panel grounding hardware and sealing washers for wall-mounting holes
- UL 508A listed; Type 3R, 4, 4X, 12; File No. E61997
- cUL Listed per CSA C22.2 No 94; Type 3R, 4, 4X, 12; File No. E61997
- NEMA/EEMAC Type 3R, 4, 4X, 12, 13
- CSA File No. 42186: Type 4, 4X, 12
- VDE IP66



ERB Series - Boxer™ - 3 Phase - NEMA 4 & 4X

GUIDE SPECIFICATION

Tankless Water Heater shall be a Chronomite Laboratories Model that is referenced within the submittal sheet column located on table below.

SUBMITTAL SHEET	ACTIVATIONS	FLOW RATE
B-3P-LA3	LOW L	2.6 GPM to 30.0 GPM
B-3P-SA3	STANDARD S	6.0 GPM to 20.0 GPM
B-3P-HA3	HIGH H	9.0 GPM to 30.0 GPM

CABINET OPTIONS

- N4 Gray Finish
- N4X Stainless Steel Finish

HEATER PRODUCT FEATURES

ERB Series - Boxer™ - 3 Phase - NEMA 4 & 4X models are manufactured to provide reliable tepid or hot water with flow rates ranging from 2.6 GPM to 30.0 GPM. There is no pressure and temperature relief valve needed (unless required by code), saving time and money on installation.

Housing is fabricated from rugged stainless steel.

Element assembly is fabricated from Celcon plastic.

Heating Coils are Nichrome.

For the model being selected, please refer to the guide specification submittal sheet located in the respective submittal sheets



Member of U.S. Green Building Council



Water Conserving Product



Made in the USA

APPLICABLE MODELS

ERB-360()/208_3P	ERB-270()/380_3P	ERB-270()/415_3P	ERB-240()/480_3P	ERB-192()/600_3P
ERB-360()/240_3P	ERB-360()/380_3P	ERB-360()/415_3P	ERB-320()/480_3P	ERB-256()/600_3P
ERB-180()/380_3P	ERB-180()/415_3P	ERB-160()/480_3P	ERB-128()/600_3P	

() = Activation L, S, or H

Complies with Standards for:

LISTED TO: UL STD 499



Federal Public Law 111-380 (No Lead)



CHRONOMITE LABORATORIES, INC.

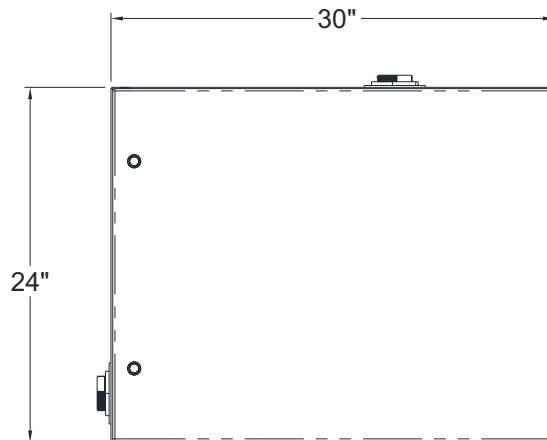
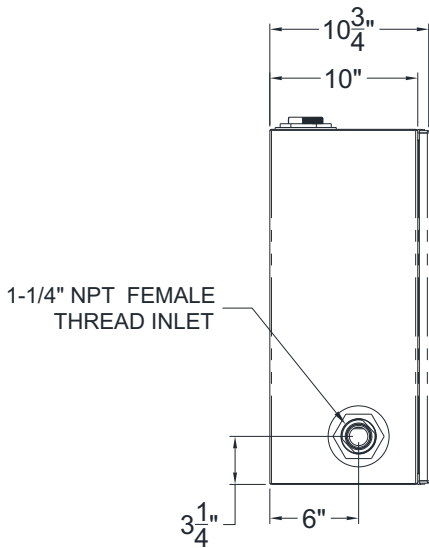
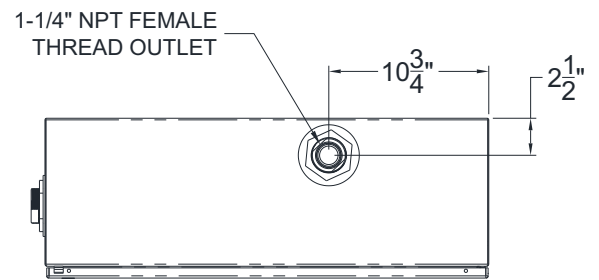
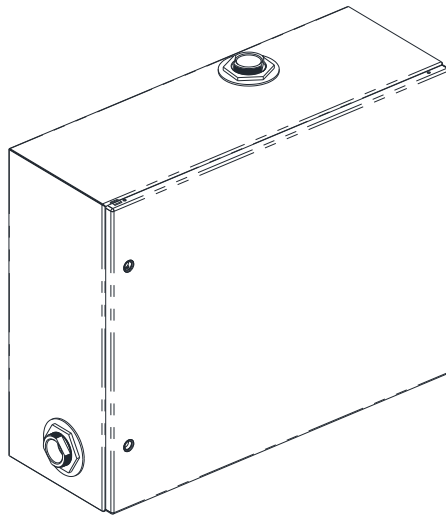
17451 Hurley St. :: City of Industry, CA 91744
 Phone 800-447-4962 :: 626-937-4270
 Fax 626-937-4279 :: www.chronomite.com

MEMBER OF



ERB SERIES - BOXER™ - NEMA 4 & 4X - 3 PHASE

TECHNICAL DIMENSIONS



Chronomite Laboratories assumes no responsibility for use of void or suspended data. © Copyright Chronomite Laboratories, Inc. Acorn Family of Companies, City of Industry, CA Please visit www.chronomite.com for most current specifications.

SELECTION SUMMARY
& APPROVAL FOR
MANUFACTURING

Company _____

Model Number & Options _____ Quantity _____

Contact _____ Title _____

Signature (Approval for Manufacturing) _____ Date _____

CHRONOMITE
LABORATORIES, INC.
PH. 800-447-4962
626-937-4270
FAX 626-937-4279
www.chronomite.com